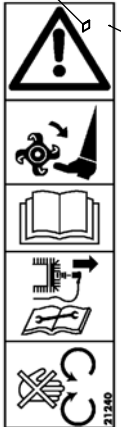
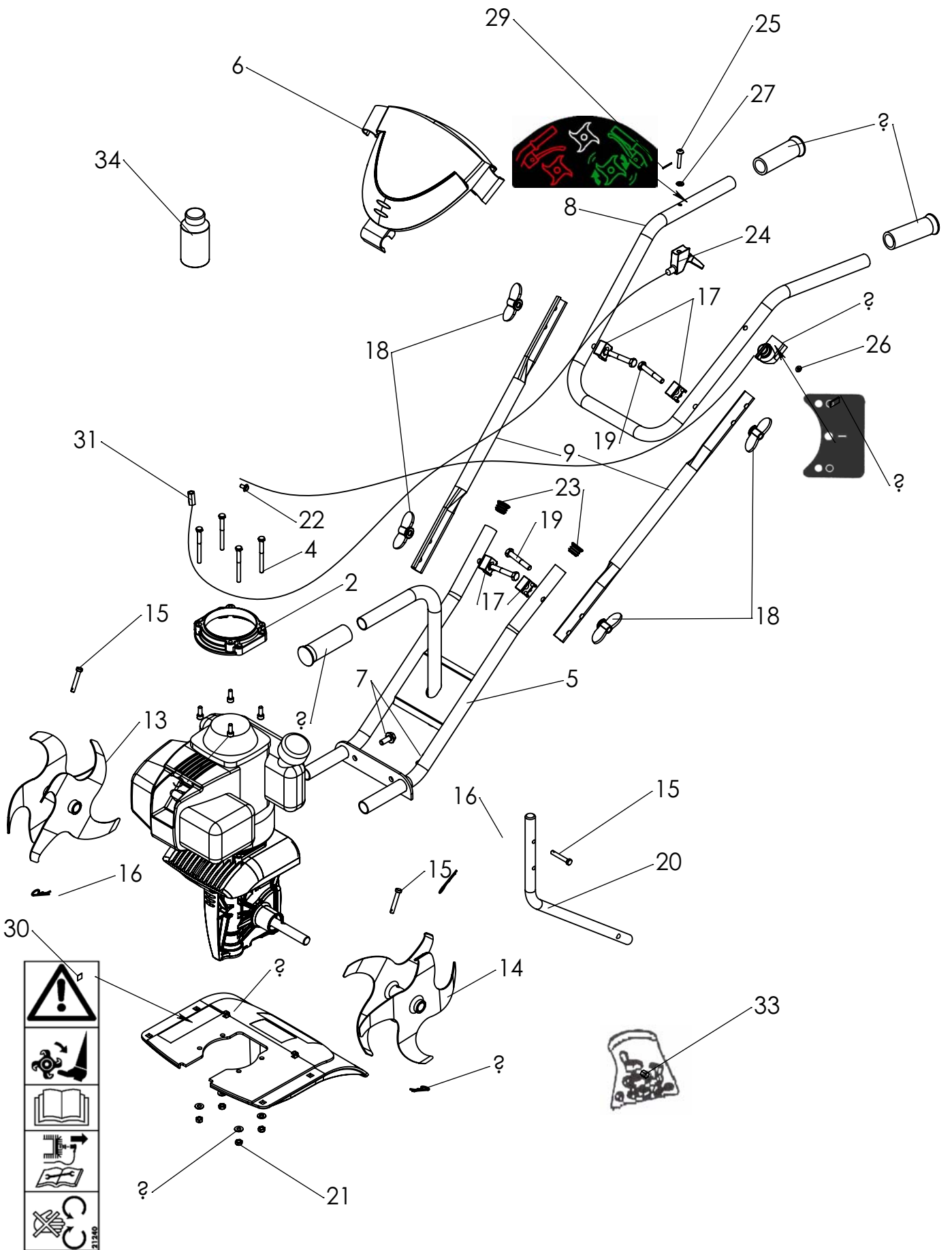


Pièces de rechange

Spare parts list

Microbineuse GX 31
Microtiller GX 31





| REP N° | Qté / Qty | Ref. | Ref. | Désignation | Description |
|--------|-----------|------------------|------|--------------------------------------|----------------------------------|
| | | 19003106 | | Guidon bas bleu | Blue bottom handlebar |
| | | 23004b | | Tableau de bord gris (option) | Grey control panel (option) |
| | | 23005 | | Tableau de bord vert (option) | Green control panel (option) |
| | | 23051 | | Tableau de bord orange P165 (option) | Orange control panel (option) |
| | | 19003108 | | Guidon haut bleu | Blue Top handlebar |
| | | 19003103 | | Guidon intermédiaire Bleu | Blue intermediate handlebar |
| | | 23014b | | Protecteur bleu | Blue guard |
| | | 23015b | | Protecteur gris | Grey guard |
| | | 23016 | | Protecteur vert | Green guard |
| | | 23050 | | Protecteur Orange P165 | Orange guard |
| 1 | 1 | 7001000002 | | Transmission | Transmission |
| 2 | 1 | 0340070001 | | Adaptateur pont/moteur | Adapter axel/motor |
| 3 | 4 | 0300020602 | | Vis CHC M 6x20z | Screw CHC M6x20z |
| 4 | 4 | 0300010607 | | Vis HM 6x65 Z | Screw HM 6x65 Z |
| 5 | 1 | 7002000302 | | Guidon bas noir | Black bottom handelbar |
| 6 | 1 | 0340070017 | | Tableau de bord rouge (option) | Red control panel (option) |
| 7 | 2 | 0300010816 | | Vis HM 8x20 z emb cr | Screw H M8x20 z notched shoulder |
| 8 | 1 | 7002010303 | | Guidon haut noir | Black top handlebar |
| 9 | 2 | 7002000303 | | Guidon intermédiaire noir | Black intermediate handelbar |
| 10 | 1 | 0330012006 | | Switch arrêt moteur Honda (SW) | Switch engine cut-off Honda (SW) |
| 11 | 3 | 0341000038 | | Poignée Ø22x100 | Hand side grip |
| 12 | 1 | 0340070013 | | Protecteur rouge (3001) | Red guard (3001) |
| 13 | 1 | 7002010301 | | Fraise 4 ctx Droite | Rotating blade right |
| 14 | 1 | 7002010302 | | Fraise 4 ctx Gauche | Rotating blade left |
| 15 | 3 | 0302010039001022 | | Goupille 6x38 Z | Pin 6x38 Z |
| 16 | 3 | 0301030001 | | Goupille Béta 2 Z | Clip pin beta 2 Z |
| 17 | 4 | 0301000003001022 | | Support câble guidon noir | Cable handlebar fixing block |
| 18 | 4 | 0301000002001022 | | Ecrou papillon guidon noir | Handlebar tightening handle |
| 19 | 4 | 0300010833001022 | | Vis HM 8x50 Z | Screw HM 8x50 Z |
| 20 | 1 | 7002000301 | | Béquille noire | Black spur |
| 21 | 4 | 0300210602 | | Ecrou frein M 6 Z | Blocking nut M 6 Z |
| 22 | 1 | 0300090501 | | Vis Tensil TH crant 5x10 bic | Tensil screw TH 5x10 bic |
| 23 | 2 | 0341000022 | | Embout rond noir Ø22 | Black plug Ø22 |
| 24 | 1 | 0308040025 | | Câble gaz + Manette | Throttle cable + lever |
| 25 | 1 | 0300080503001022 | | Vis pozi M 5x30 Z | Pozidrive screw M 5x30 Z |
| 26 | 1 | 0300400309001022 | | Rondelle M 3.2x10x1 Z | Washer M 3.2x10x1 Z |
| 27 | 1 | 0300400509001022 | | Rondelle M 5x12x1 Z | Washer M 5x12x1 Z |
| 28 | 1 | 0503000031 | | Etiquette Marche/Arrêt | On/Off Label |
| 29 | 1 | 0503000029 | | Etiq. "Embrayage" | Label "clutch lever" |
| 30 | 1 | 0503000036 | | Etiq. "sécurité" | Safety label |
| 31 | 1 | 0001000471 | | Entretoise régime GX31-4T | GX31 Spacer |
| 32 | 4 | 0300400602 | | Rondelle M6x14x1.2 Z | Washer M6x14x1.2 Z |
| 33 | 1 | 0300000003 | | Pochette visserie (microbineuse) | Bag of screws (microbineuse) |
| 34 | 1 | 0102000012 | | Bidon d'huile moteur 0.1L | Engine oil 0.1L |
| 35 | 1 | 0330011015 | | | |